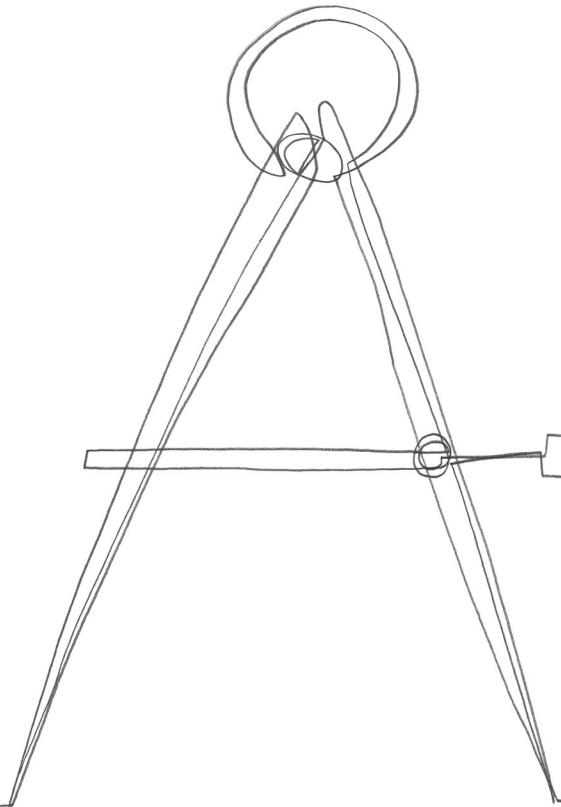


Architects & Engineers Professional Liability

Financial protection for architects and engineers in the event of allegations of errors and omissions.



Architects & Engineers Professional Liability

Beazley Group

Plantation Place South
60 Great Tower Street
London EC3R 5AD
United Kingdom

T +44 (0)20 7667 0623
F +44 (0)20 7674 7100

Beazley Insurance Company, Inc.

30 Batterson Park Road
Farmington, CT 06032
USA

T +1 (860) 677 3700
F +1 (860) 679 0247

In addition to standard coverage provided by typical architects and engineers professional liability policies, the Beazley policy offers the following key coverage features:

- Technology risk coverage for:
 - electronic transfer of data
 - copyright infringement
 - web-hosting functions
 - privacy liability
- Privacy breach response service coverage
- Contractors' pollution liability extension
- Disciplinary / regulatory / administrative actions reimbursement extension – \$30,000 per policy period
- Defendants' reimbursement extension – up to \$500 per day, subject to a maximum of \$15,000 per claim
- Reputation management reimbursement extension – up to \$15,000 per policy period
- Broad definition of insured – includes insured's participation in joint ventures and insured's lawful spouse or Domestic Partner
- Automatic 60-day coverage for acquired entities
- Blanket waiver of subrogation provision for clients of the insured as required by contract
- Punitive damages extension – where insurable by law
- Mediation or early resolution deductible credit – 50% up to \$25,000 per claim
- Defense outside the limits
- \$0 deductible

Beazley's value-added services include:

- Pre-claims assistance
- Proactive claims management through experienced construction lawyers and claims management professionals
- Contract reviews
- Risk management:
 - live quarterly web-based seminars
 - A&E Reporter newsletter
 - dedicated online content: www.beazley.com/aeriskinfo/ including our exclusive "By Design" video series and accompanying coursebook

Target

- Architects and engineers
- Agency construction managers
- Project managers
- Interior designers
- Surveyors
- Environmental consultants of all sizes

Territories

Worldwide

Limits

Up to US \$30,000,000

The descriptions contained in this broker communication are for preliminary informational purposes only. In the US, the product may be available on an admitted basis in some but not all jurisdictions through Beazley Insurance Company, Inc. In other US jurisdictions, the product is underwritten by Beazley syndicates at Lloyd's and is available only on a surplus lines basis through licensed surplus lines brokers. The publication and delivery of the information contained herein is not intended as a solicitation for the purchase of insurance on any US risk. Except where products are issued by Beazley Insurance Company, Inc., coverages are underwritten by Beazley syndicates at Lloyd's and will vary depending on individual country law requirements and may be unavailable in some countries. The exact coverage afforded by the products described herein is subject to and governed by the terms and conditions of each policy issued. Some coverages are made available through Beazley USA Services, Inc., which is a service company this is a part of the Beazley Group and has authority to enter into contracts of insurance on behalf of the Lloyd's underwriting members of Lloyd's syndicates 623 and 2623 which are managed by Beazley Furlonge Limited, Beazley USA Services, Inc. is licensed and regulated by insurance regulatory authorities in the respective states of the US and transacts business in the State of California as Beazley Insurance Services (License #: 0655497).

www.beazley.com/aeriskinfo/