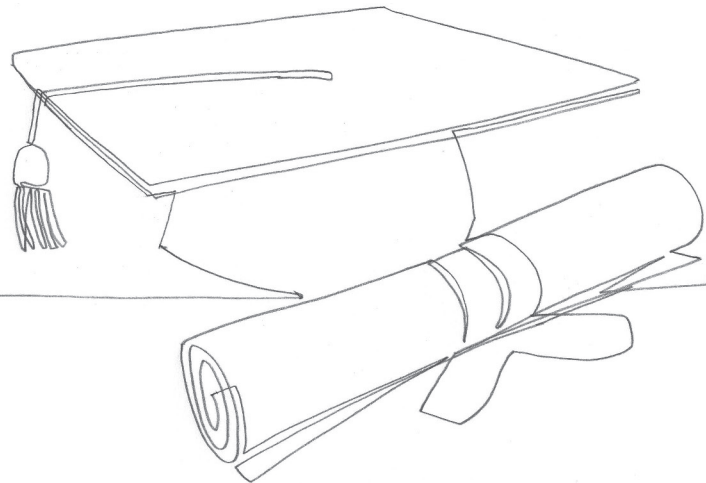


Beazley

Active Shooter Protection

Tailored liability cover for
educational institutions.

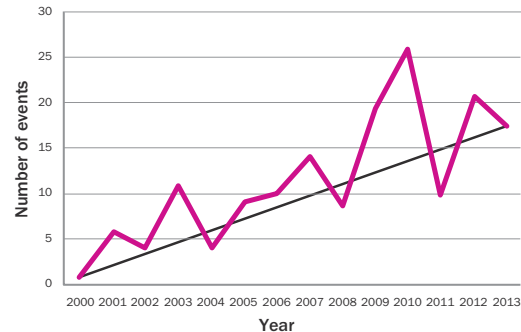


Beazley Active Shooter Protection

In the modern world threats come from many sources. One of the most difficult to defend against is the incursion of an armed individual intent on inflicting harm.

The growing number of active shooter events in the US since 2000 has raised the overall awareness of such attacks. Between 2000 and 2006 the average number of incidents per year was 6.4 which rose to 16.4 between 2007 and 2013.¹

Rise in US active shooter events 2000-2013



Educational institutions are the second most likely place for active shooter events to take place in the US. The reasons are clear. Campuses are hard to secure and the high volume of people on site every day increases the chances of an armed individual entering unchallenged.

Protecting against these events requires an innovative and proactive approach. This is reinforced by Federal agencies which stress the importance of being prepared.

When an educational institution get things wrong the liability on the owners and management for a non-staff member harmed in an attack can be significant. Beazley is an expert in both the educational sector and liability insurance and has created an active shooter protection package specifically designed to assist US educational institutions. This goes beyond pure insurance and crucially focuses on helping prevent, prepare for and effectively respond to attacks.

1. Blair, J. Pete, and Schweit, Katherine W. (2014). A Study of Active Shooter Incidents, 2000 - 2013. Texas State University and Federal Bureau of Investigation, U.S. Department of Justice, Washington D.C. 2014.

Cover overview

- Primary liability cover for lawsuits arising from harm caused by attacks using deadly weapons (to complement workers compensation coverage).
- Flexibility to set excesses and policy limits to suit the insureds' needs (access to policy limits up to \$20,000,000).²
- Written on a claims made basis.
- Available on a standalone basis or together with other Beazley products designed for education institutions.

Key features and benefits

- Risk assessment of insured locations.
- Sub-limit for specialist crisis management services.
- Sub-limit for post event counselling services.
- 24 hour crisis management service to help the educational institution respond immediately by setting up an emergency call centre, advising on emergency communications, putting in place a recovery plan and arranging counselling.
- Including access to the services of a panel of event responders.

2. Through the Lloyd's Active Shooter Consortium

Distribution

- Lloyd's brokers.
- Rapid turnaround of underwriting quotes.

Security

All Lloyd's syndicates participating in the Lloyd's Active Shooter Consortium are rated 'A' by A.M. Best.

Contact

Contact the Beazley Terrorism team for a quote or for more details:



Chris Parker
Focus group leader & underwriter
T +44 (0)20 7674 7412
chris.parker@beazley.com



Kerri O'Dwyer
Underwriter
T +44 (0)20 7674 7590
kerri.odwyer@beazley.com

Beazley Active Shooter Protection

Beazley Group

Plantation Place South
60 Great Tower Street
London EC3R 5AD
United Kingdom

T +44 (0)20 7667 0623

F +44 (0)20 7674 7100

The descriptions contained in this broker factsheet are for preliminary informational purposes only. Coverages are underwritten by Beazley syndicates at Lloyd's and will vary depending on individual country law requirements and may be unavailable in some countries. Coverages are available in the US only on a surplus lines basis through licensed surplus lines brokers. The exact coverage afforded by the product(s) described in this brochure are subject to and governed by the terms and conditions of each policy issued. The publication and delivery of the information contained herein is not intended as a solicitation for the purchase of insurance on any US risk.

beazley

www.beazley.com